



Cart Mod. PBC BINS TANDEM

- 4 wheels with Tandem compensating system
- Frame structure made of pressed Omega-profiles 30dm
- Iron deck with treadplate 30 dm
- Telescopic end-bulkhead
- Rear foot-board to stop the products
- Special lateral fixing devices to fasten the boxes
- Height-adjustable towing eyelet
- Hooks for ropes
- **DRAWBAR WITH HYDRAULIC SHIFT**
- Braking axle.

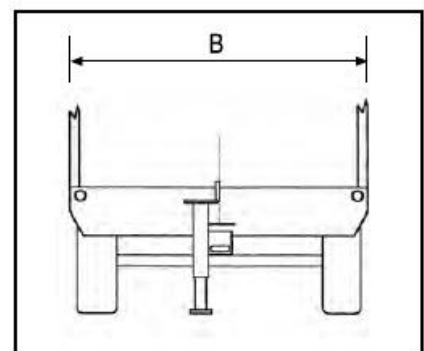
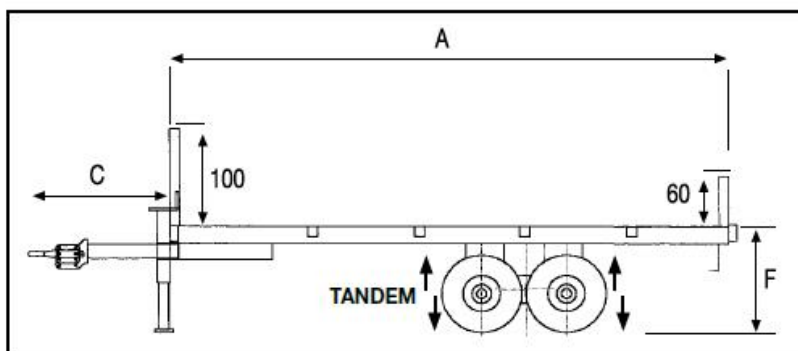
ON REQUEST



**MOD.
PI**

NB: it excludes drawbar 30° rotation

	TYRES	A cm.	B cm.	F cm.	C cm.	E cm.
Mod. PBC/3 BINS 345x120	20.5/8.00-10	345	120	58	90	130
Mod. PBC/3 BINS 452x120	20.5/8.00-10	460	120	58	90	130
Mod. PBC/3 BINS 365x90	20.5/8.00-10	370	90	58	90	105
Mod. PBC/3 BINS 385x90	20.5/8.00-10	385	90	58	90	105
Mod. PBC/3 BINS 330x130	20.5/8.00-10	330	130	58	90	145
Mod. PBC/3 BINS 305x130	20.5/8.00-10	305	130	58	90	145
Mod. PBC/3 BINS 405x130	20.5/8.00-10	405	130	58	90	145
Mod. PBC/3 BINS 370x130	20.5/8.00-10	370	130	58	90	145
Mod. PBC/3 BINS 490x130	20.5/8.00-10	485	130	58	90	145



THESE CARTS CAN BE BUILT WITH VARIOUS SIZES

Accessories on request: see page 32-33