



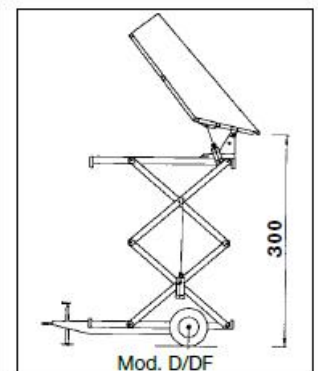
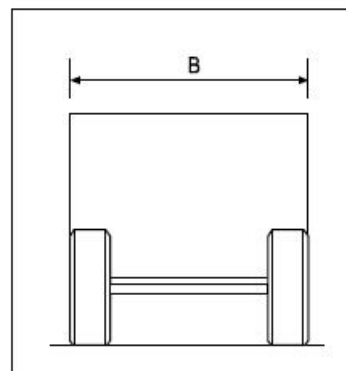
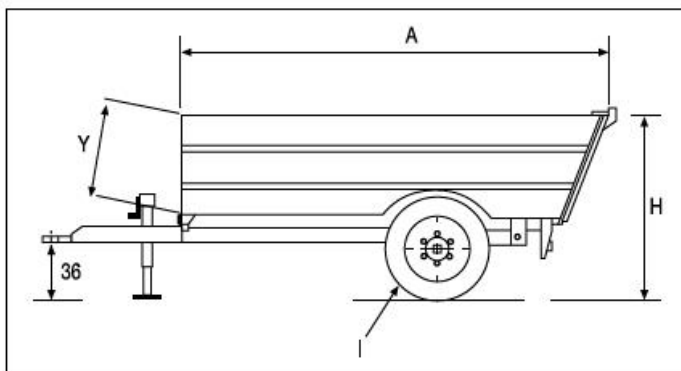
## Cart **SCISSORS DUMPER** model

### For transporting and collecting grapes with **CE** certificate

A cart for harvesting grapes with a machine or by hand, complete with a double scissors structure for lorry or trailer loading. Complete with piston for unloading the grapes with quick coupling operation, a specific safety valve and a liquid-proof container made of *stainless steel "AISI 304 patterned sheet"*.

With fix drawbar and movable support feet.

Model	A	B	Y	I TYRES	H	UNLOADING	LOAD CAPACITY
<b>D/DF 13</b>	300	130	50	200/60-14,5	130	rear	1700 Kg
<b>D/DF 16</b>	300	160	50	200/60-14,5	130	rear	2500 Kg



### Compensating system **Tandem** with tyres 20.5 - 14,5 10PR



4 compensating wheels  
tyres 20.5 - 14,5 10 PR

With mechanical brake cod. D 002

### Accessories on request for **DUMPER - SCISSORS DUMPER** models

Drawbar with hydraulic shift and quick coupling operation to facilitate row entry and exit  
cod. D 003

Axle with hydraulic brake with internal jacks and an adjustment valve for braking regulation  
cod. D 004

2 hydraulic support feet for stabilization, quick coupling operation - cod. D 006

30 cm Openable side boards (front-rear) - cod. D 007