



## Dump trailer, hydraulic rear model with container made of stainless steel AISI 304

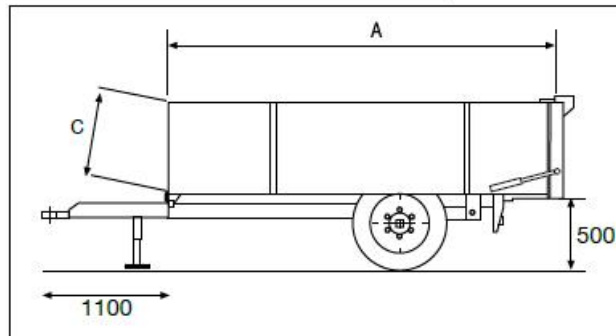
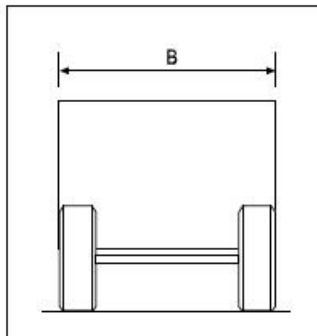
**COSTS OF  
BRAKING SYSTEM  
TO BE ADDED**



**AF RR INOX 38x18 TANDEM**

- Complete with steel frame
- Rigid axle with 8 holes
- Rear hydraulic unloading with quick coupling operation of the tractor with end stroke valve
- Height-adjustable towing eyelet
- Manual support foot
- Liquid-proof container made of stainless steel AISI 304, thickness 25dm
- Rear tailgate with hydraulic opening, quick coupling operation of the tractor.
- 2 hydraulic double effect jacks

Mod.	LENGTH A	WIDTH B	CONTAINER HEIGHT C	TYRES	CAPACITY M <sup>3</sup>
AF RR INOX 35x18	350	180	120	335/50 R22.5	5,5
AF RR INOX 38x18	380	180	120	335/50 R22.5	6,5
AF RR INOX 38x18 TANDEM	380	180	120	TANDEM 265/70 R 19,5	7,5



## ON REQUEST

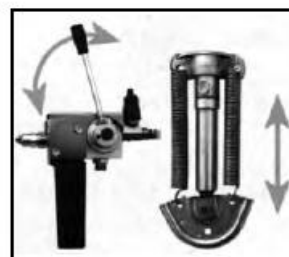


**Para fluids  
height 250mm  
front  
rear**



Pneumatic braking system  
6.000kg

**PN 007**



Manual braking system with  
hydraulic lever,  
approved for 6.000kg

**PN 009**

Hydraulic braking system  
with tractor pedal if  
supplied with 6.000kg  
approval

**PN 010**